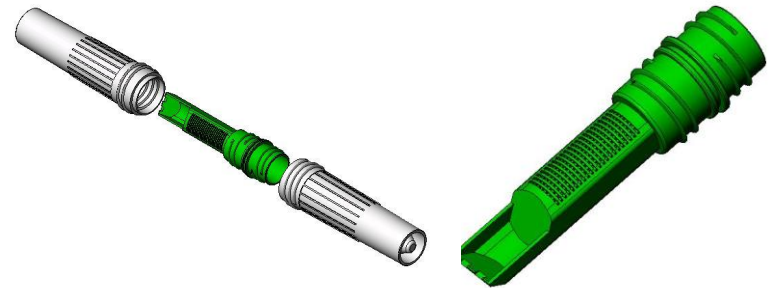
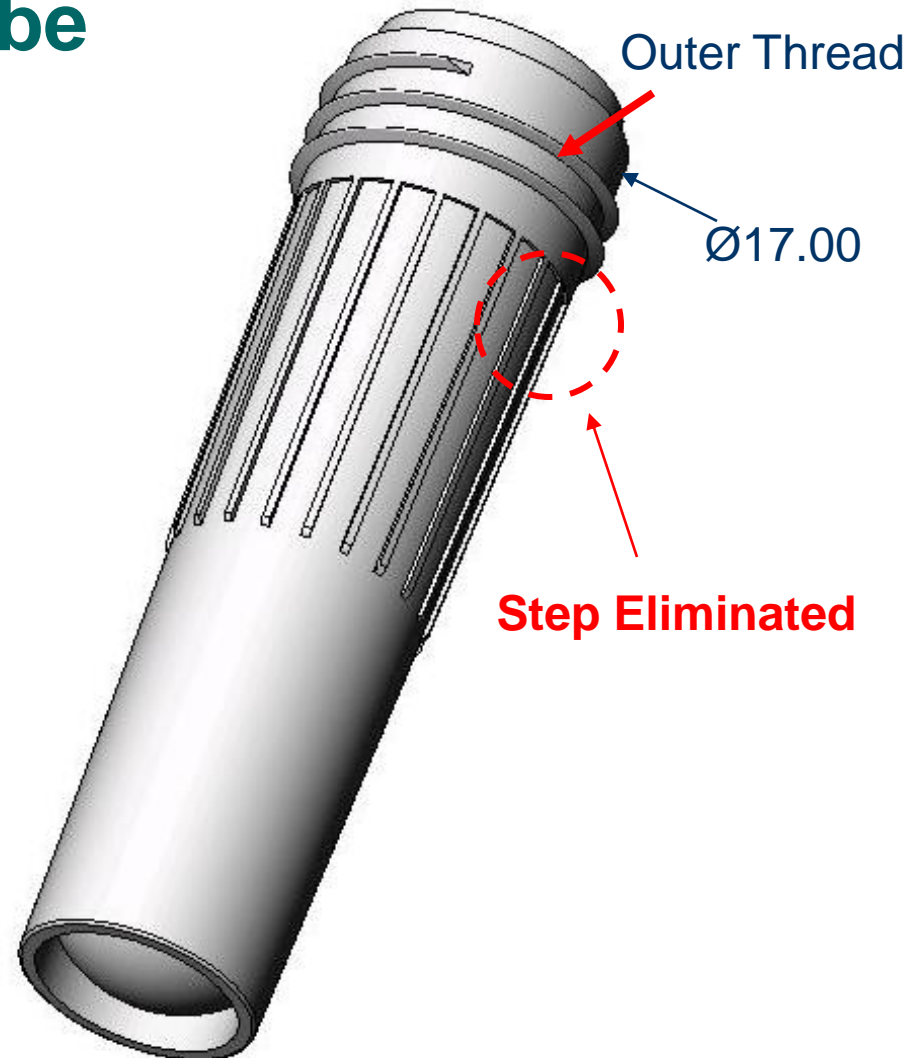


Design Modifications for Fecal Filter



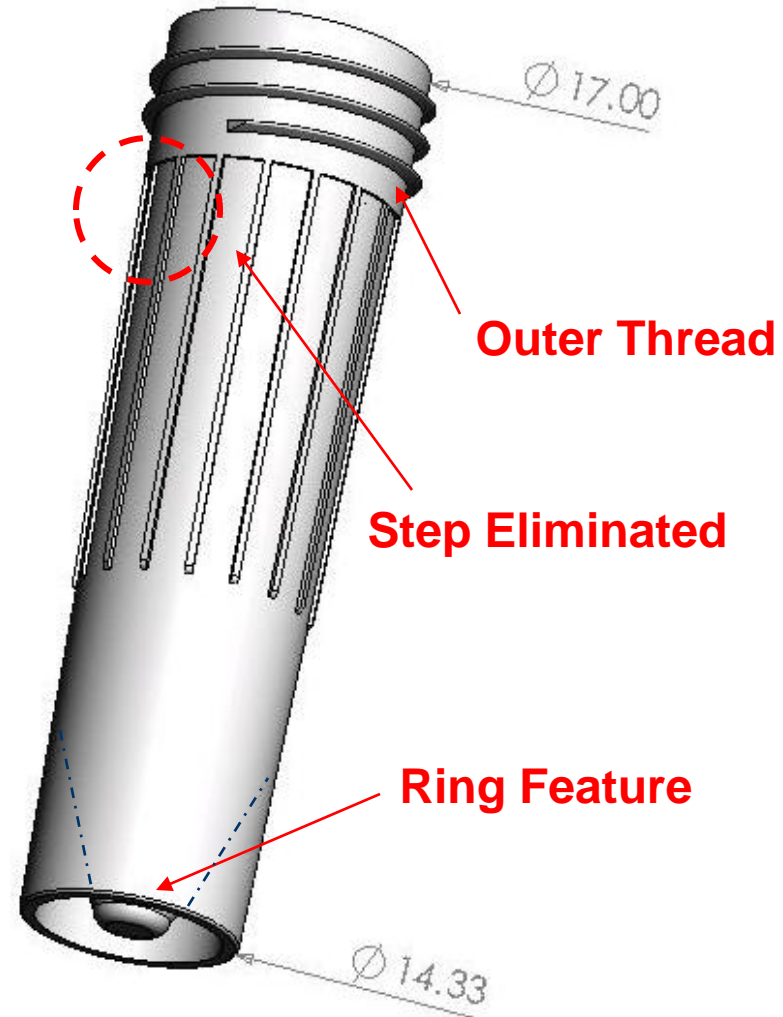
Improvements for Tube

- Decrease draft angle by 1°
- Max Outer Diameter 17mm
- Eliminate step
- Outer Thread added
- Inner Volume increased by 14% (was 7028mm³, now 8023mm³)
- Approx. 995mm³ more



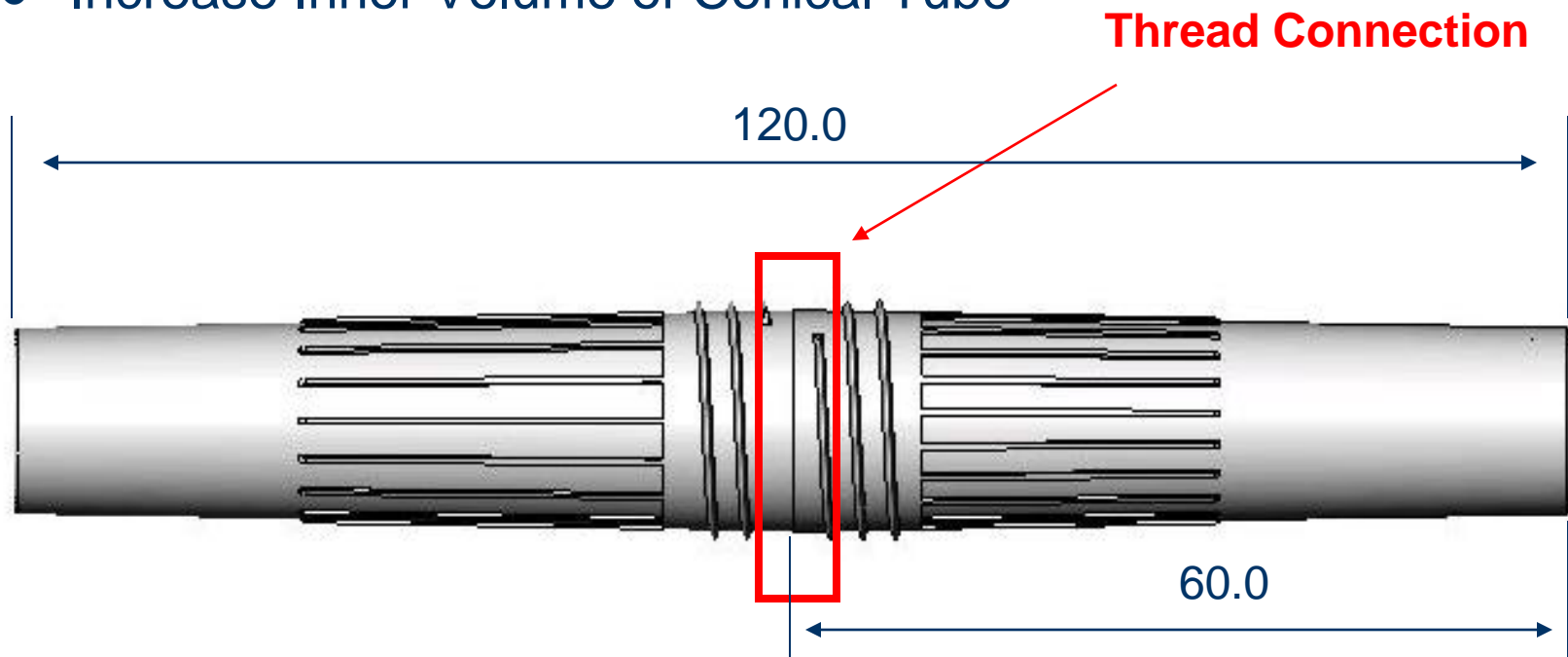
Improvements for Conical Tube

- Decrease draft angle by 1°
- Max Outer Diameter 17mm
- Eliminate step
- Outer Thread added
- Ring Feature added for standing up
- Inner Volume increased by 48%
(was 5151mm^3 , now 7663mm^3)
- Approx. 2511mm^3 more



Design Improvements

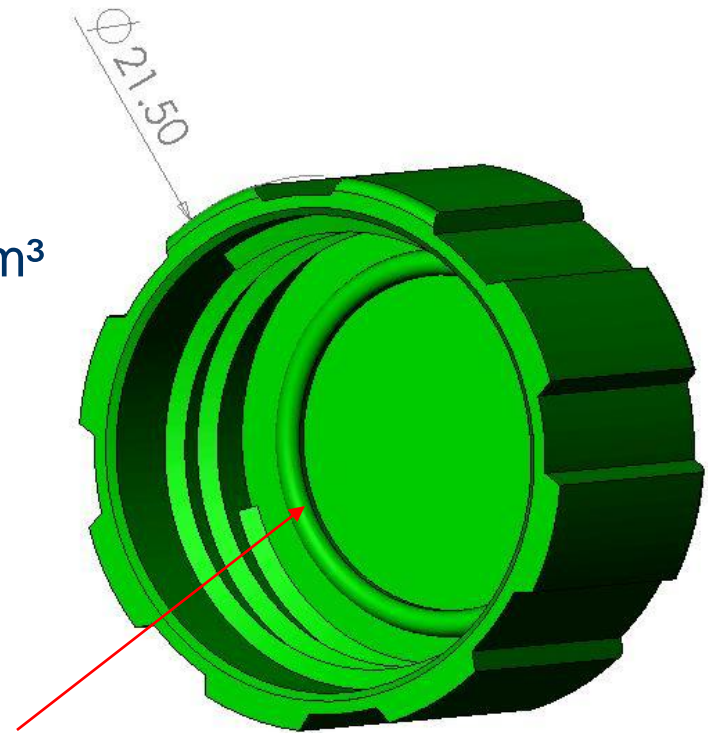
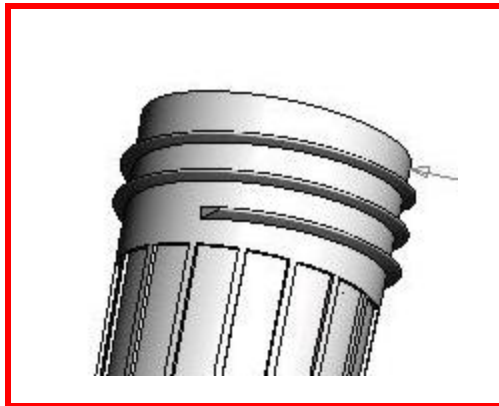
- Thread Connection has been relocated at the centre
- Same length for Tube and Conical Tube
- Increase Inner Volume of Conical Tube



Improvements for Screw Cap

- Improve the Sealing system
- Inner Thread
- Sealing Lip Feature Inside the cap
- Volume was 3099mm³, now 2614 mm³

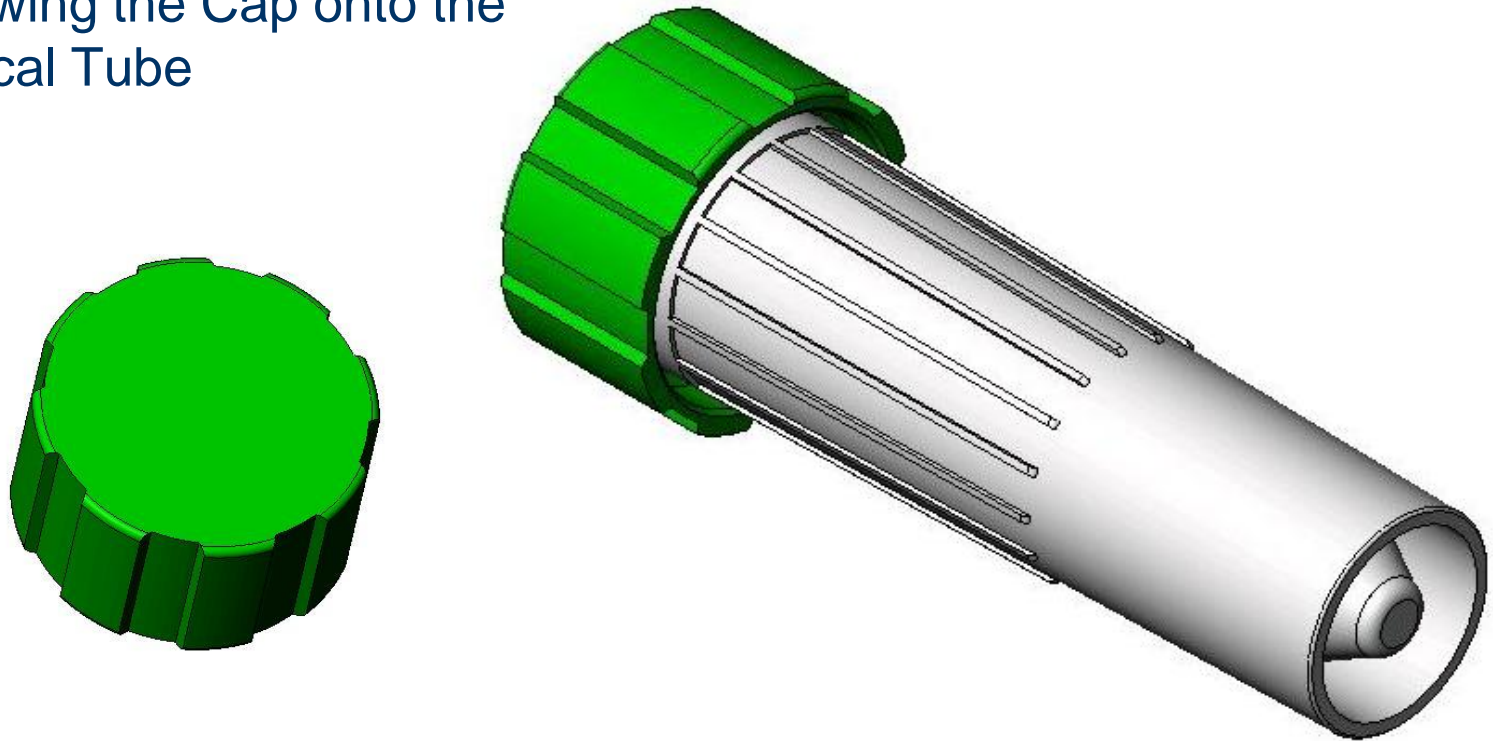
Outer Thread for Screw Cap



With Seal lip

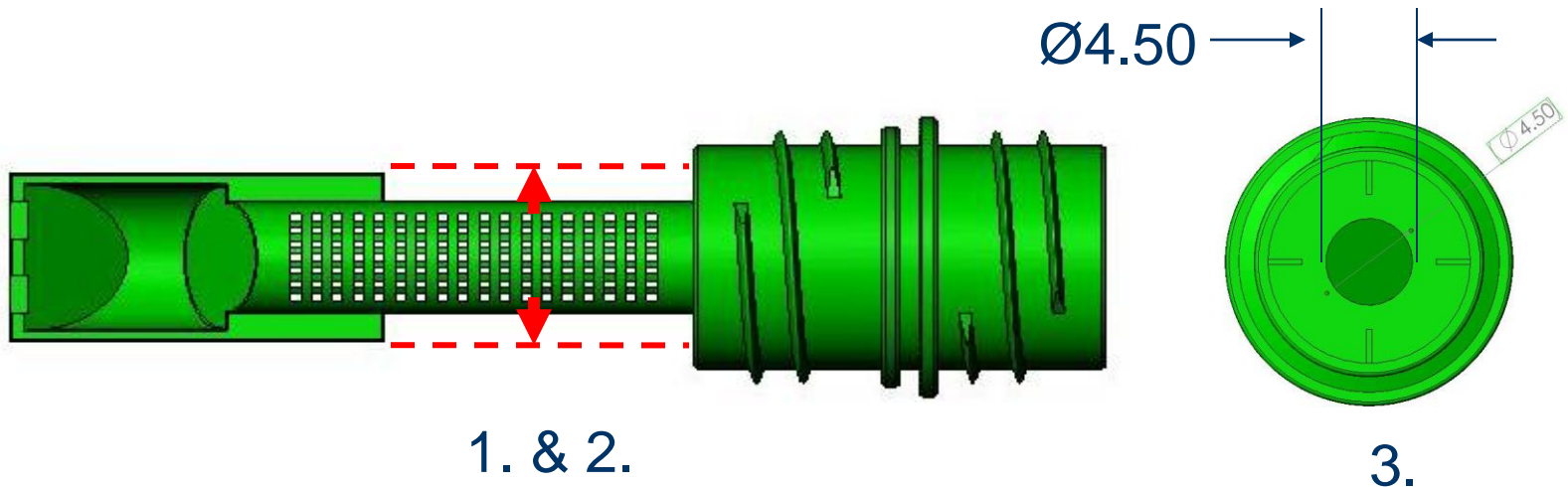
Better Integration

- Better Sealing Properties by Screwing the Cap onto the Conical Tube



Improvements for the Current Filter

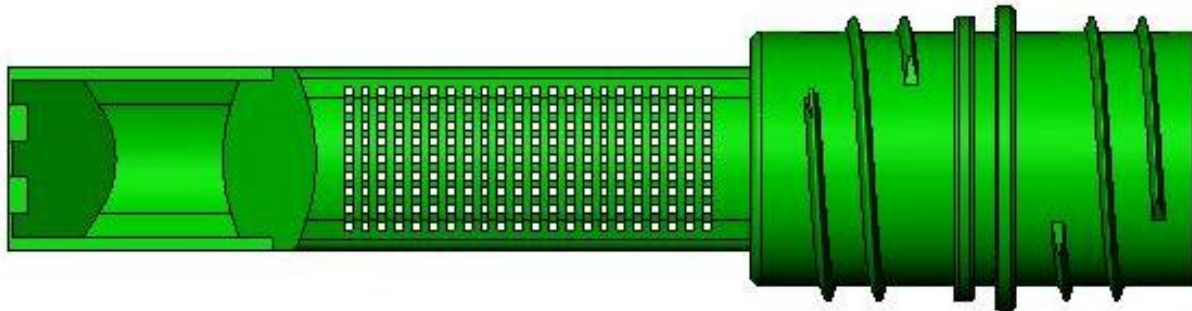
1. To enlarge the filter surface area
2. To add more pores
3. To increase the inner volume of the Filter (Better Circulation)



New Filter

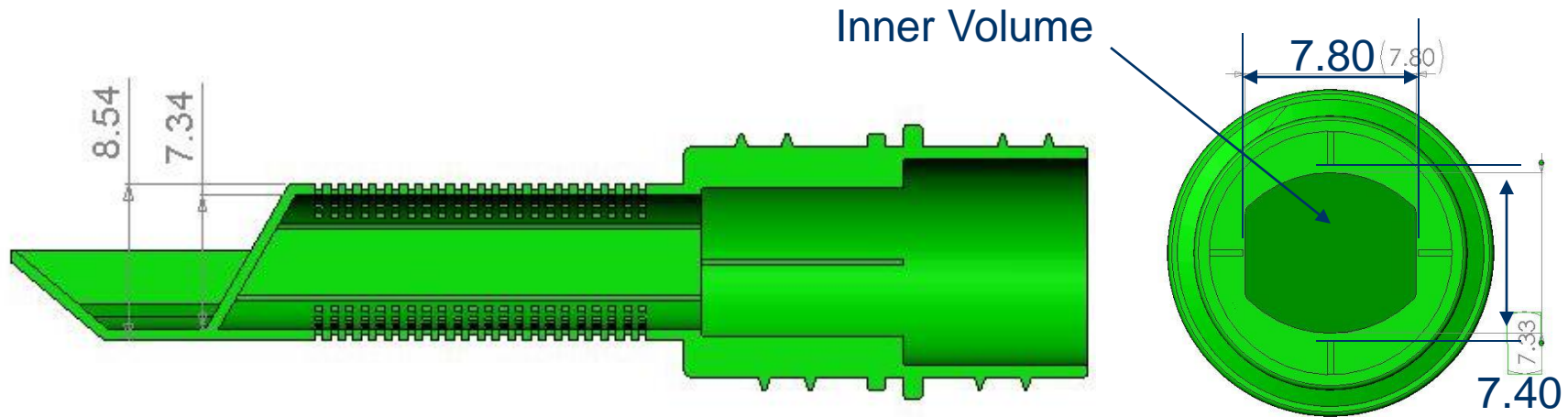
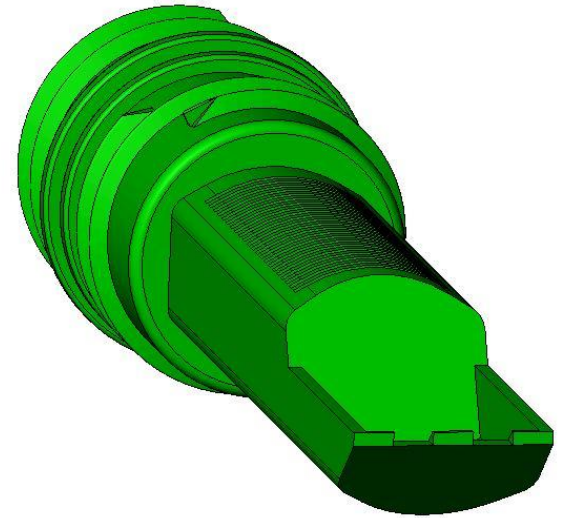
1. Larger Contact Area
2. 72 More Pores on Each Side, Total 144 more.
Approx. 980mm³ more

Old Version: 7 pores x 18 = 126 pores each side
New Version: 9 pores x 22 = 198 pores each side



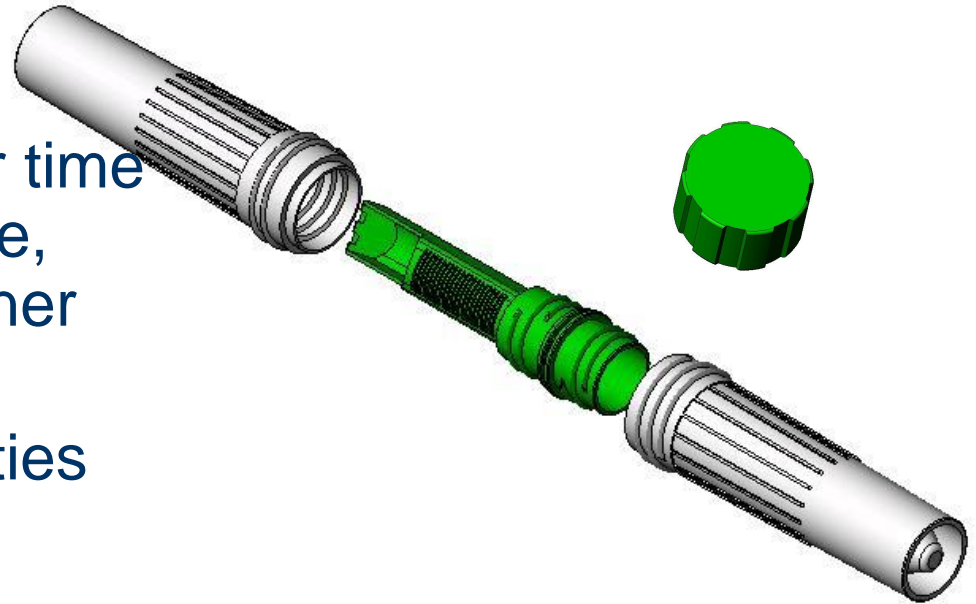
New Filter

- 3. Inner volume increased by 44%
(was 2222mm³, now 3202mm³)



The New Fecal Filter

- a 4 pieces Set Filter
- Larger inner Volume
- Shorter liquid transfer time (larger contact surface, more pores, larger inner volume)
- Better sealing properties
- Universal outer dimensions



The End



Thank you!